

## Vining Crops (tomatoes, cucumbers, hops, etc.)

Please provide us with the following information for a FREE lighting layout. In order to provide your project with an accurate and effective design please complete this form as thoroughly as possible. Missing information may cause delay in receiving your layout or affect accuracy/results.

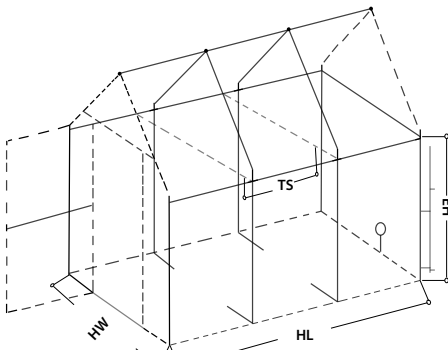
<b>Project name:</b>	<b>Dealer company:</b>
<b>Job company:</b>	<b>Dealer location:</b>
<b>Customer contact:</b>	<b>Dealer contact:</b>
<b>Email:</b>	<b>Email:</b>
<b>Ship to ZIP code:</b>	<b>Phone:</b>

<b>Crop:</b>				
<b>Structure:</b>	<input type="checkbox"/> Greenhouse	<input type="checkbox"/> Other	<b>Roof:</b>	<input type="checkbox"/> Arch <input type="checkbox"/> Gothic <input type="checkbox"/> Gable <input type="checkbox"/> Other

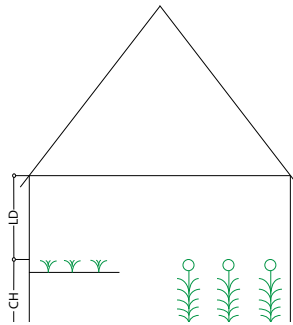


### GREENHOUSE OR OTHER MEASUREMENTS:

# of Structures	Structure Width <b>W</b>	Structure Length <b>L</b>	Bottom of Truss/Eave Height <b>H</b>	Peak Height <b>PH</b>
# of Bays	Individual Bay Width <b>W</b>	Individual Bay Length <b>L</b>	Space Between Trusses <b>TS</b>	Bench + Crop Height <b>CH</b>



**Building Specifications**

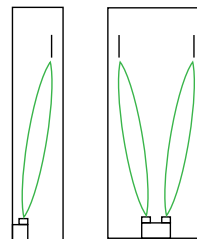


**Crop Height**

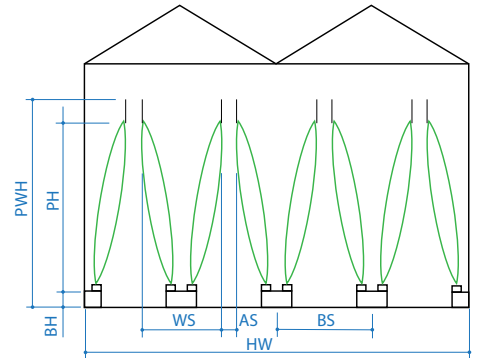
<b>Obstructions:</b>		
Partition between bays?	<input type="checkbox"/> Yes	<input type="checkbox"/> No
<b>Material:</b>		
Shade curtain?	<input type="checkbox"/> Yes	<input type="checkbox"/> No
If yes, is it below the truss?	<input type="checkbox"/> Yes	<input type="checkbox"/> No
<b>Are there any other obstructions?</b>	<input type="checkbox"/> Yes	<input type="checkbox"/> No
<b>If yes, please describe the obstructions.</b>		

Total Number of Crop Rows	Plant Wire Height <b>PWH</b>	Plant Height <b>PH</b>	Blackout Height <b>BH</b>
House Width <b>HW</b>	Wire Spacing <b>WS</b>	Aisle Spacing <b>AS</b>	Block Space <b>BS</b>

**Single    Double**



**Crops per Row**



Please see page 2 for grid to submit a sketch of your bench layout with dimensions.

Does your first row of crops start against the wall?  Yes     No

Crops per row:  Single     Double

First row of crops begins: \_\_\_\_\_ ft from side wall    \_\_\_\_\_ ft from end wall

Please email this completed form to [Sales@PARsource.com](mailto:Sales@PARsource.com)

# Light Request Form

## LIGHT NEEDS

<b>Light Requirements:</b>	<input type="checkbox"/> Primary supplemental	<input type="checkbox"/> Photoperiod/Daylength extension	
<b>Growth Stage:</b>	<input type="checkbox"/> Propagation	<input type="checkbox"/> Vegetative	<input type="checkbox"/> Flowering
<b>Uniformity Desired:</b>	<input type="checkbox"/> High (may result in more fixtures)	<input type="checkbox"/> Low (may result in fewer fixtures)	
<b>Desired Intensity:</b>	<input type="checkbox"/> Micromoles:	<input type="checkbox"/> Moles/Day:	
		Natural+supplemental=	
		Supplemental only=	
<input type="checkbox"/> <b>Not sure.</b> Please base it on crop type and my region and focus on:			
	<input type="checkbox"/> High quality levels	<input type="checkbox"/> Good quality levels	<input type="checkbox"/> Acceptable levels

## FIXTURE INFORMATION

<b>Fixture/Bulb Type:</b>	<input type="checkbox"/> LED	<input type="checkbox"/> Double-Ended <input type="checkbox"/> HPS <input type="checkbox"/> MH	<input type="checkbox"/> CMH <input type="checkbox"/> 3100K <input type="checkbox"/> 4200K	<input type="checkbox"/> T5 Fluorescents	<input type="checkbox"/> Other	
<b>Voltage:</b>	<input type="checkbox"/> 120V	<input type="checkbox"/> 208V/240V	<input type="checkbox"/> 277V	<input type="checkbox"/> 347V	<input type="checkbox"/> 480V	<input type="checkbox"/> Other
<b>Standard Plug:</b>	<input type="checkbox"/> 5-15P	<input type="checkbox"/> 6-15P	<input type="checkbox"/> L7-15P	<input type="checkbox"/> L24-20P	<input type="checkbox"/> L8-20P	<input type="checkbox"/> Other
<b>Special Plug:</b>	Describe:					
	All fixtures come with a standard 8' power cord.					

Please submit any architectural drawings you have of your facility. CAD files are preferred, followed by SketchUp and PDF files. Alternatively, please submit a sketch of your greenhouse and bench layout with your dimensions:

Please email this completed form to [Sales@PARsource.com](mailto:Sales@PARsource.com)



Sales@PARsource.com  
PARsource.com