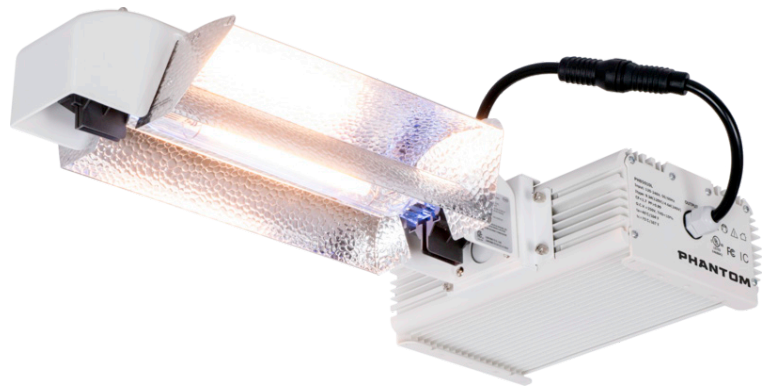


# PHDEOK12L

## PHANTOM DE LOW PROFILE OPEN LIGHTING SYSTEM

### 1000W, 120–240V

Open-form reflector delivers uniform growth over a broad footprint. Louvered top effectively dissipates heat while operating DE bulbs at ideal temperatures for maximum light output and lamp life.



### System Overview

Model	PHDEOK12L
Reflector	Open DE
Reflector Material	European 99.85% pure, 95% reflectivity
Ballast	Phantom DE Low Profile Controllable Ballast
Ballast and Armature Material	Aluminum
Socket	K12 x 30s

### Ballast Electrical Specifications

Model	PHB5010L
Watts	1000W
Main Voltage	120–240V
Operating Voltage Range	108–264V
Max Input Power	1210W
Output Power Settings	600W-750W-825W-1000W-1150W
Power Factor	0.97–0.99
Frequency	50/60Hz
Igniter Voltage	4 kV
THD	< 10%
CF	<1.7
ta	40°C/104°F
tc	75°C/167°F

### Input Amperage Reference

Voltage	120V	208V	240V
I <sub>max</sub>	10.20A	5.85A	5.06A
1150W	10.20A	5.85A	5.06A
1000W	9.30A	5.30A	4.60A
825W	7.67A	4.50A	3.91A
750W	6.98A	4.02A	3.48A
600W	5.60A	3.30A	2.86A

### Mechanical Specifications

Dimensions (L x W x H)	651,08 x 269,0 x 126,0 mm / 25.633" x 10.91" x 4.961"
Fixture Weight	9 kg / 19.84 lbs
Thermal Management	Passive

### Ballast Features

Microprocessor Control	Yes
LED Status Indicator	Yes
Open Circuit Protection	Yes
Open Circuit Indicator	Yes
Short Circuit Protection	Yes
Short Circuit Indicator	Yes
Overtemperature Protection	Yes
Overtemperature Indicator	Yes
End-of-Lamp-Life Sensor	Yes
End-of-Lamp-Life Indicator	Yes
Over/Undervoltage Protection	Yes
Over/Undervoltage Indicator	Yes
NEMA 5-15 Plug	Yes
Ignition failure protection	Yes

### Safety Certifications

CSA	No
UL	Yes
FCC Commercial	Yes
FCC Residential	Yes
IC	Yes

### Ballast Operation Notes

For use with a generator, line conditioning equipment to control input voltage must be used in order to avoid damage to the fixture. Product is not designed to use with residential power strip. Failure to observe these warnings will result in void of warrant. Contact us for more information. Clean with a microfiber cloth.



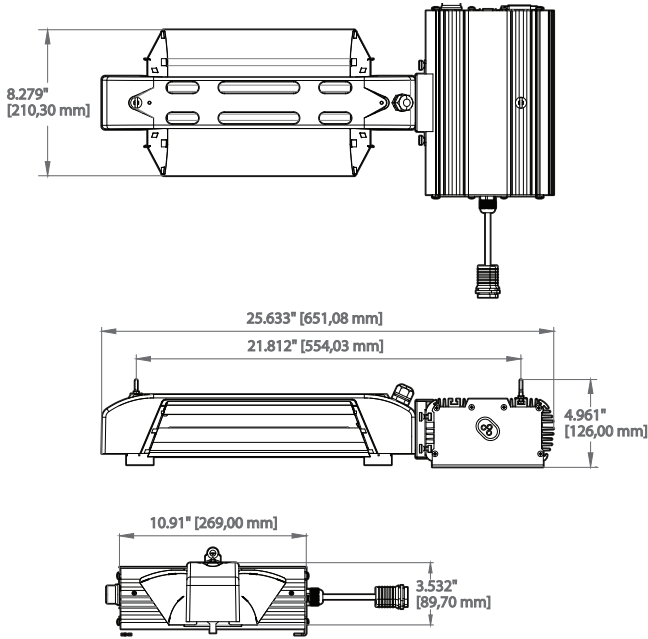
# PHDEOK12L

## PHANTOM DE LOW PROFILE OPEN LIGHTING SYSTEM

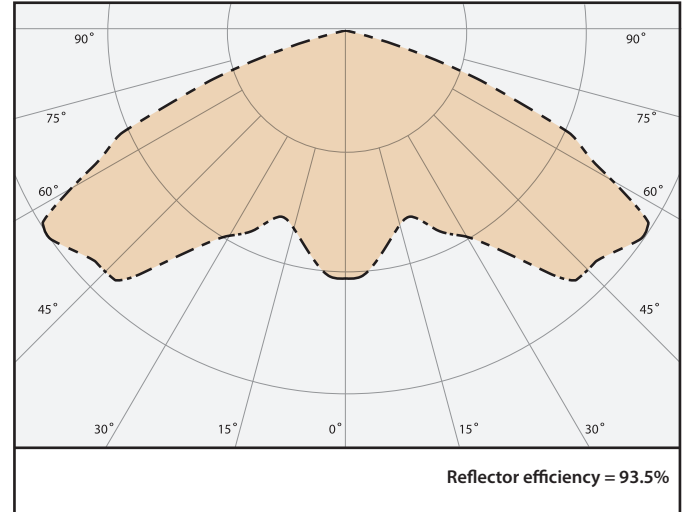
1000W, 120-240V



### Dimensional Drawing



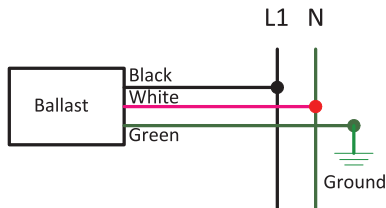
### Photosynthetic Photon Intensity Distribution



Each ballast **MUST** be wired to the main's neutral line back to the circuit. **DO NOT** "daisy-chain" a neutral line with any other ballast.

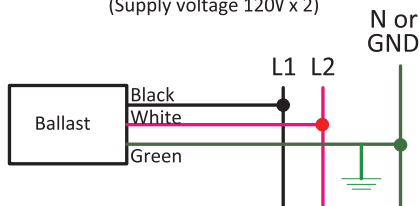
## 120/208V

(Supply voltage 120V/208V)



## 240V

(Supply voltage 120V x 2)



	<b>WARNING – POSSIBLE RISK OF INJURY TO EYES AND SKIN</b>
	<p>Hazardous optical UV, HEV, and IR radiation may be emitted from the light source. Always wear personal protective equipment ensuring complete shielding of skin and eyes. Avoid prolonged exposure and looking directly at light source.</p>

**⚠ WARNING: FAILURE TO FOLLOW GUIDELINES  
COULD RESULT IN ELECTRICAL SHOCK.**

Do not touch, move, spray, or clean your light fixture when it is plugged in. Allow it to cool down before handling. Recommended mounting clearance for your fixture is 8"-12" on all sides. Do not mount directly to any surface. Make sure to disconnect the power when changing the lamp. This tech sheet is not in any way a replacement for a technical installation manual. Consult technical installation manual prior to installation.

All rights reserved.

Specifications are subject to change without notice. Trademarks are the property of Hydrofarm.h