

ARCC33151, ARCC33201, ARCC33251

ARC CMH 315W System w/3100K Philips Lamp, 208-240V, 277V, 347V

The ARC CMH 315 Commercial Lighting System features state-of-the-art technology that uniformly delivers optimum PAR value over a broad footprint.

The reflector was specifically designed to concentrate the CMH lamp in a standard, traditional spread, yielding very high intensity when positioned closer to the canopy, or a wider distribution of still powerful illumination when raised higher.



ARC CMH 315W System w/3100K Phillips Lamp

Model	ARCC33151, ARCC33201, ARCC33251
Lamp	Philips 315W 3100K
Lamp Output	598 μ mol/s
Lamp Lifetime	20,000 hours
Reflector	Enclosed SE CMH
Reflector Material	EU Aluminium 99.85% pure, 95% reflectivity
Ballast	Philips Advance
Ballast and Armature Material	Aluminum
Socket	PGZX18
Fixture Weight	12.5 lbs

ARC CMH 315W Ballast Electrical Specifications

Model	ARCC33151, ARCC33201, ARCC33251
Lamp Power	315W
Main Voltage	208-240V, 277V, 347V
Operating Voltage Range	208-240V, 277V, 347V
Max Input Power	350W
Output Power Settings	315W
Power Factor	> 0.9
Frequency	50/60Hz
Igniter Voltage	4 kV max
THD	< 15%
CF	1.8
ta	40°C/104°F
tc	85°C/185°F

ARC CMH 315W Input Amperage Reference

Voltage	240V	277V	347V
315W	1.45A	1.3A	1.02A

ARC CMH 315W Ballast Features

Microprocessor Control	Yes
LED Status Indicator	No
Open Circuit Protection	Yes
Open Circuit Indicator	No
Short Circuit Protection	Yes
Short Circuit Indicator	No
Overtemperature Protection	Yes
Overtemperature Indicator	No
End-of-Lamp-Life Sensor	Yes
End-of-Lamp-Life Indicator	No
Over/Undervoltage Protection	Yes
Over/Undervoltage Indicator	No
Patented Ignition Control	No
USB Port to Integrate with Climate Controls	No
Auto-restrike Protection	Yes
Internal EMI Suppression	Yes

ARC CMH 315W Safety Certifications

CSA	Yes
UL	No
FCC Commercial	Yes
FCC Residential	No

ARC CMH 315W CMH Operation Notes

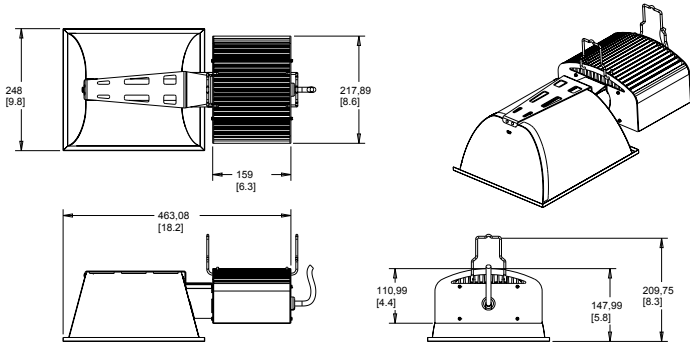
For use with a generator, line conditioning equipment to control input voltage must be used in order to avoid damage to the ballasts. Contact us for more information.

ARC CMH 315W CMH Plug Type

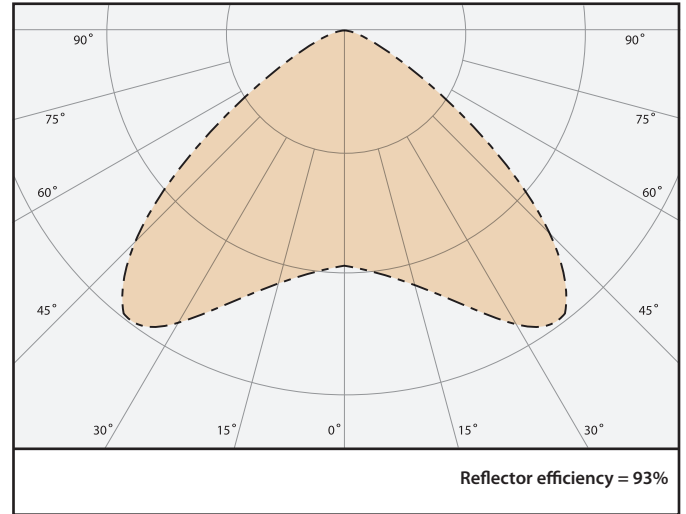
240V	277V	347V
NEMA 6-15P	NEMA L7-15P	NEMA L24-20P

ARC CMH 315W CMH System

Traditional Ballast Orientation Dimensions



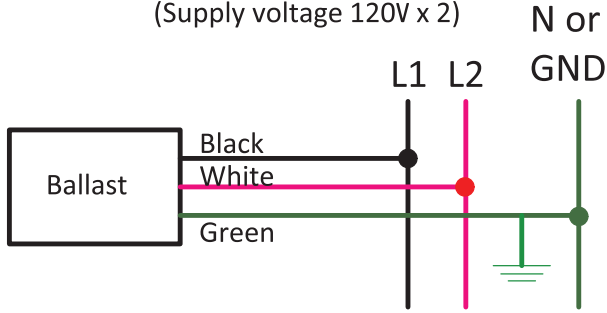
Polar Diagram



Each ballast **MUST** be wired to the main's neutral line back to the circuit. **DO NOT** "daisy-chain" a neutral line with any other ballast.

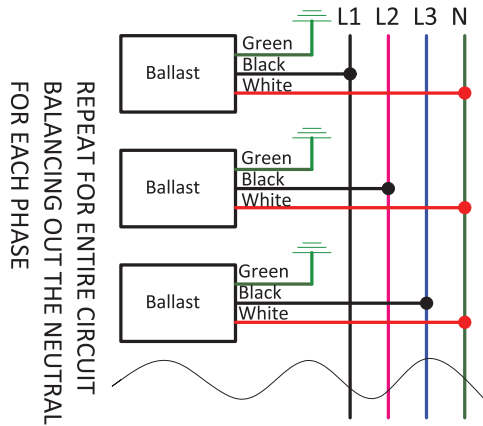
240V

(Supply voltage 120V x 2)

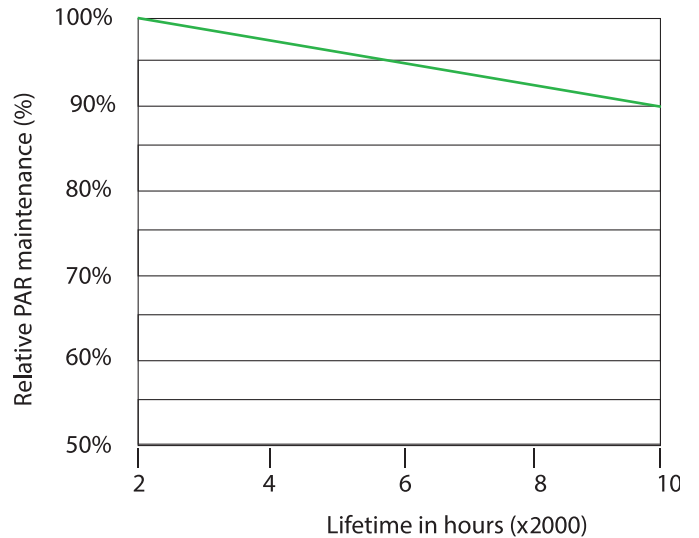
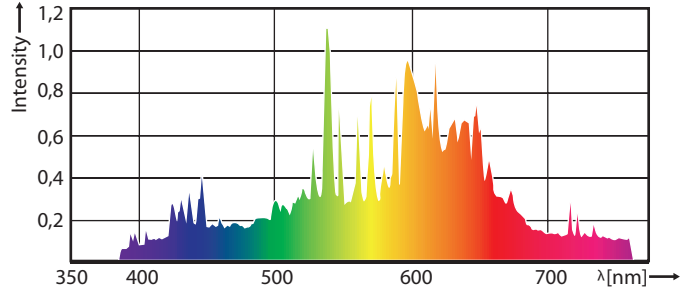


277V/347V

(Supply voltage 480V/600V)



Philips 3100K CMH Lamp



⚠ WARNING: FAILURE TO FOLLOW GUIDELINES COULD RESULT IN ELECTRICAL SHOCK.

Do not touch, move, spray, or clean your light fixture when it is plugged in. Allow it to cool down before handling. Recommended mounting clearance for your fixture is 8"-12" on all sides. Do not mount directly to any surface. Make sure to disconnect the power when changing the lamp. This tech sheet is not in any way a replacement for a technical installation manual. Consult technical installation manual prior to installation.

All rights reserved.

Specifications are subject to change without notice. Trademarks are the property of Hydrofarm.

